

Far, mor og børn stager
Pa, Ma and bairns candlesticks

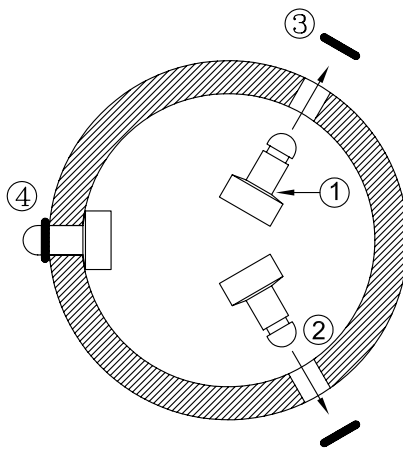
Til ø40 mm fyrfadslys
For ø40 mm tealights

Design: Peter Seidelin Jessen



www.delite.dk
...simply delight

Design registered December 8th 2006



1. Støttestpind (3 stk.)
Support pin (3 pieces)
2. Skub de 3 støttestpinde indefra gennem hullerne som vist.
Push the 3 support pins through the holes from inside of tube as shown.
3. Gummi/rubber O-ring
4. Støttestpindene sikres med O-ringen som vist.
The support pins are secured with the O-ring as shown

Far, mor og børn stager
Pa, Ma and bairns candlesticks

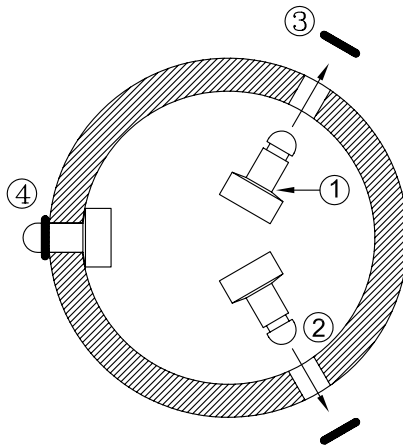
Til ø40 mm fyrfadslys
For ø40 mm tealights

Design: Peter Seidelin Jessen



www.delite.dk
...simply delight

Design registered December 8th 2006



1. Støttestpind (3 stk.)
Support pin (3 pieces)
2. Skub de 3 støttestpinde indefra gennem hullerne som vist.
Push the 3 support pins through the holes from inside of tube as shown.
3. Gummi/rubber O-ring
4. Støttestpindene sikres med O-ringen som vist.
The support pins are secured with the O-ring as shown

Far, mor og børn stager
Pa, Ma and bairns candlesticks

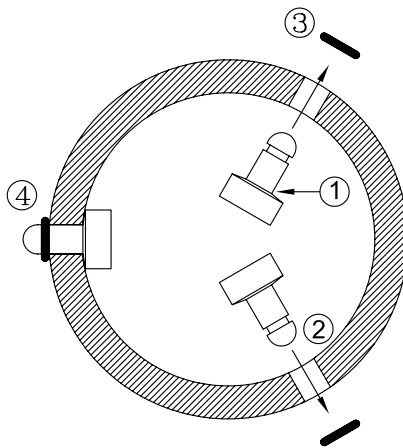
Til ø40 mm fyrfadslys
For ø40 mm tealights

Design: Peter Seidelin Jessen



www.delite.dk
...simply delight

Design registered December 8th 2006



1. Støttestpind (3 stk.)
Support pin (3 pieces)
2. Skub de 3 støttestpinde indefra gennem hullerne som vist.
Push the 3 support pins through the holes from inside of tube as shown.
3. Gummi/rubber O-ring
4. Støttestpindene sikres med O-ringen som vist.
The support pins are secured with the O-ring as shown

Far, mor og børn stager
Pa, Ma and bairns candlesticks

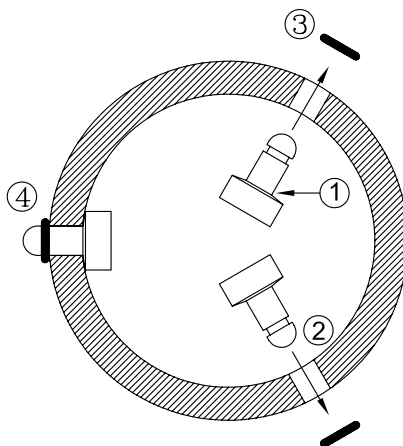
Til ø40 mm fyrfadslys
For ø40 mm tealights

Design: Peter Seidelin Jessen



www.delite.dk
...simply delight

Design registered December 8th 2006



1. Støttestpind (3 stk.)
Support pin (3 pieces)
2. Skub de 3 støttestpinde indefra gennem hullerne som vist.
Push the 3 support pins through the holes from inside of tube as shown.
3. Gummi/rubber O-ring
4. Støttestpindene sikres med O-ringen som vist.
The support pins are secured with the O-ring as shown